

4

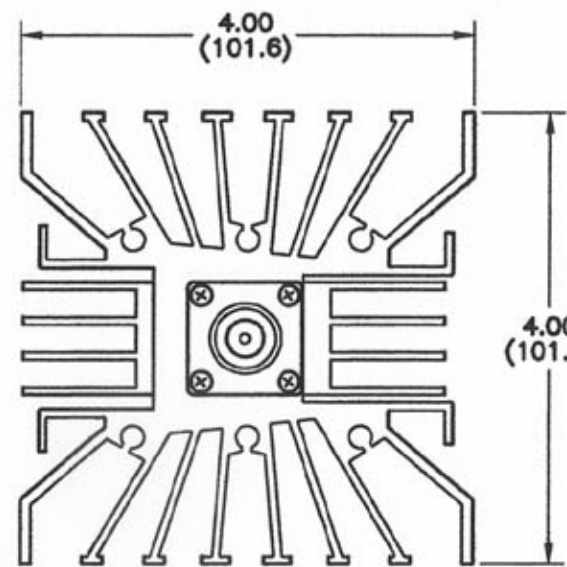
3

2

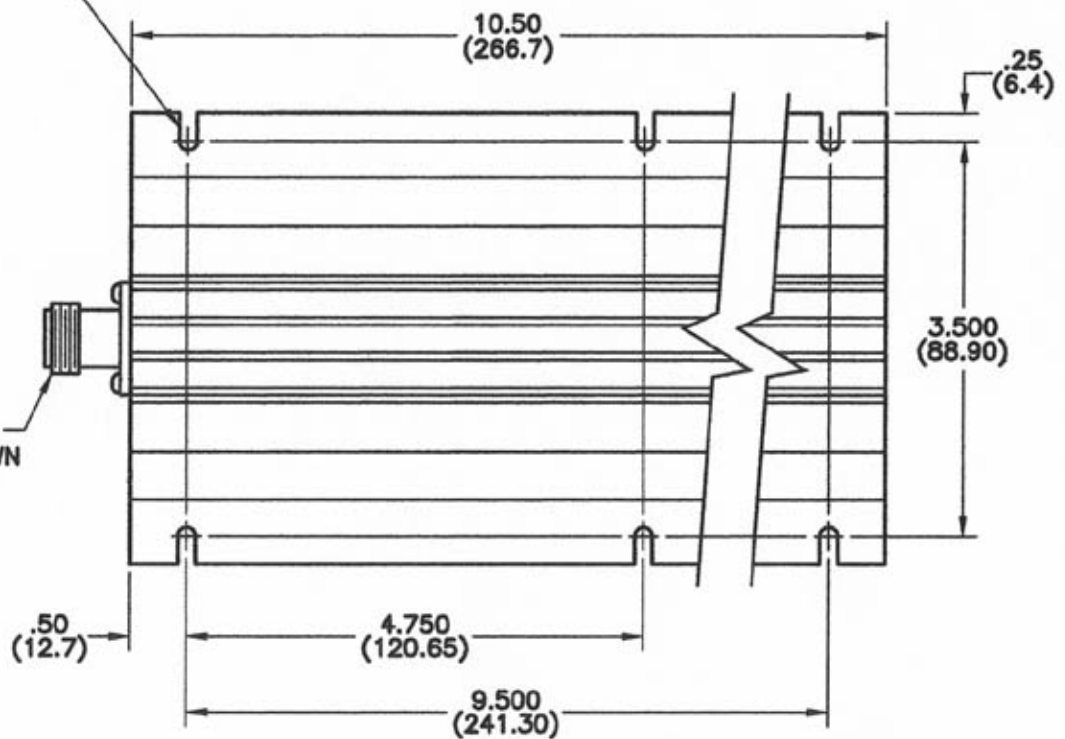
1

REVISIONS					
REV	ZONE	DESCRIPTION	DATE	BY	ECO

.156(3.96) WIDE SLOT  
6 PLACES, TOP & BOTTOM



TYPE N  
JACK SHOWN



### SPECIFICATIONS

FREQUENCY RANGE - DC TO 6.0 GHz  
 IMPEDANCE - 50 OHMS  
 VSWR (DC - 2.0 GHz) - 1.20:1  
       (2.0 - 4.0 GHz) - 1.28:1  
       (4.0 - 6.0 GHz) - 1.30:1  
 INPUT POWER (AVG.) - 250 WATTS  
                   (PEAK) - 2000 WATTS  
 OPERATING TEMPERATURE - -55°C TO +125°C  
 CONNECTOR TYPES - TYPE N, TNC, 7/16 DIN, PLUG OR JACK  
                                   (TYPE N JACK SHOWN)  
 WEIGHT - ~ 6.5 lbs

DIMENSIONS: INCHES  
(MILLIMETERS)

TOLERANCES		THE INFORMATION CONTAINED IN THIS DOCUMENT IS THE PROPERTY OF MICROWAVE DEVICES, INC. AND IS PROPRIETARY. IT IS NOT TO BE COPIED OR USED FOR ANY PURPOSE OTHER THAN AS INSTRUCTED, IN WRITING, BY MICROWAVE DEVICES, INC.	SIGNATURES		DATE
DEC.XX ± .05	FRACTION		DR	G.V. Colthron	8-28-08
.XXX ± .010	ANG ±		CHK		
MATERIAL			APPD		
FINISH		APPD			

**MICROWAVE DEVICES**  
*(RF and Microwave Components)*

**OUTLINE, MODEL 6250X6  
TERMINATION, 250 WATT**

CAGE	SIZE	DRAWING NO.
60674	B	900768

DRAWING SCALE 1:1 | SHEET 1 OF 1

CONTACT: MICROWAVE DEVICES - 1150 N. GRIFFIN RD.  
(317) 738-8833 FRANKLIN, IN 46131

4

3

2

1